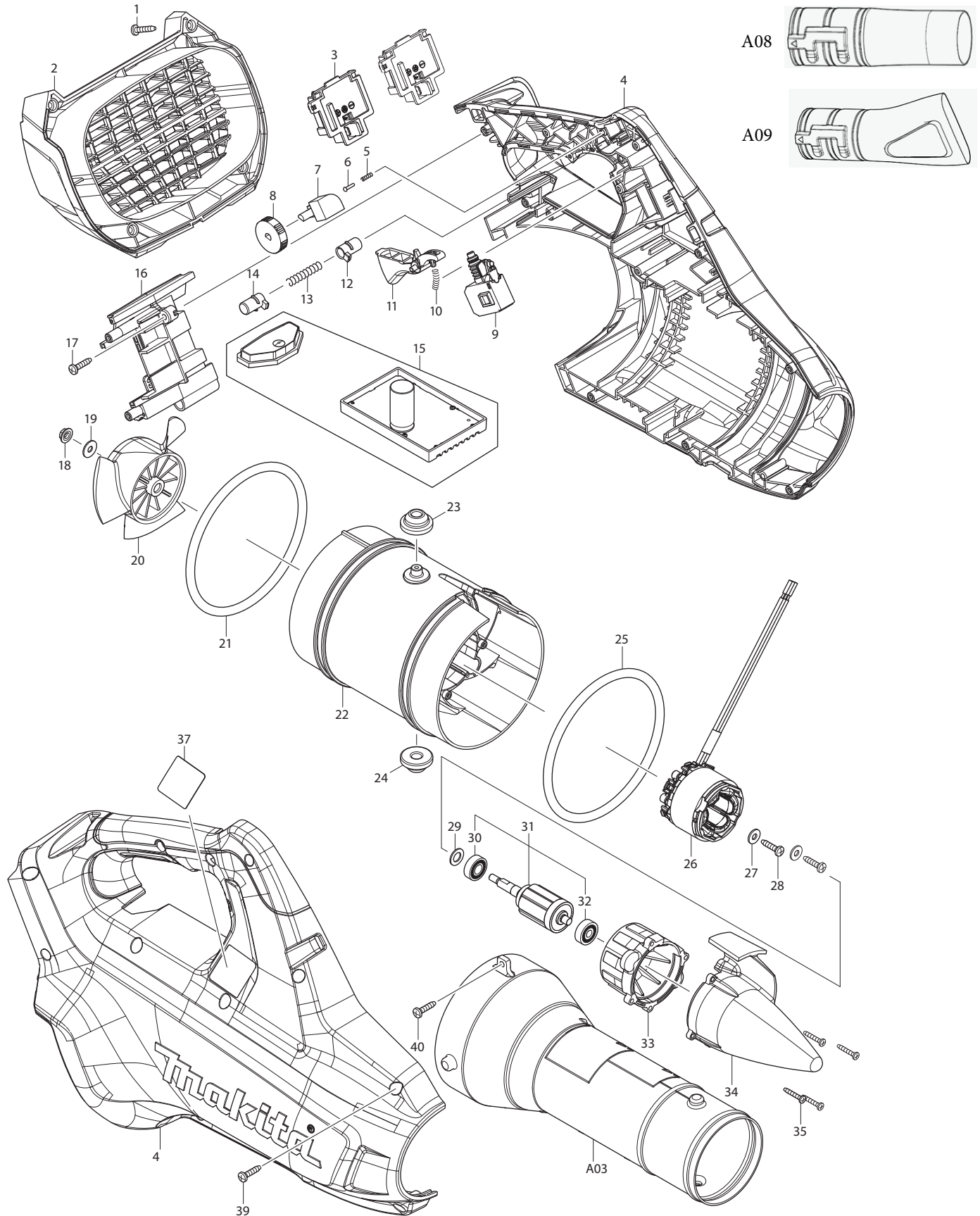




02 - 2015  
DUB362Z  
18Vx2 (36V) Brushless Blower



Item No.	Type	Sub	Part No.	Description	Qty	Unit
001			266326-2	TAPPING SCREW 4X18	4	PC.
002			455912-6	REAR COVER	1	PC.
003			644808-8	TERMINAL	2	PC.
004			183A79-3	HOUSING SET	1	PC.
		INC.	263005-3	RUBBER PIN 6	2	PC.
		INC.	806D82-2	CAUTION LABEL	1	PC.
005			233002-3	COMPRESSION SPRING 3	1	PC.
006			255058-6	RIVET 2	1	PC.
007			620415-1	SUB CONTROLLER	1	PC.
008			271427-3	DIAL 28	1	PC.
009			650709-0	SWITCH C3JW-1A-P	1	PC.
010			233101-1	COMPRESSION SPRING 4	1	PC.
011	2		458864-0	SWITCH LEVER	1	PC.
012			418881-2	LOCK ON BUTTON	1	PC.
013			233092-6	COMPRESSION SPRING 5	1	PC.
014			418881-2	LOCK ON BUTTON	1	PC.
015	1		143166-4	* CONTROLLER COMPLETE	1	PC.
	2		141N60-8	* CONTROLLER COMPLETE	1	PC.
016			143146-0	CENTER CASE COMPLETE	1	PC.
		INC.	263005-3	RUBBER PIN 6	2	PC.
017			266326-2	TAPPING SCREW 4X18	2	PC.
018	3		252286-4	* COLLARED HEX LOCK NUT M5-8	1	PC.
020	2		240177-1	* FAN 110	1	PC.
021			424721-4	RUBBER RING 115	1	PC.
022			455907-9	MOTOR HOUSING	1	PC.
023			424194-1	RUBBER RING 8	1	PC.
025			424721-4	RUBBER RING 115	1	PC.
026	1		629153-2	* STATOR DC36V	1	PC.
	2		629B73-2	* STATOR	1	PC.
028	2		265620-9	* TAPPING SCREW FLANGE 4X18	2	PC.
030			210040-2	BALL BEARING 698LLU	1	PC.
031	1		519366-2	ROTOR ASS'Y	1	PC.
		INC.		Item No. 30,32		
	2		519444-8	ROTOR ASS'Y	1	PC.
		INC.		Item No. 30,32		
032			210022-4	BALL BEARING 626DDW	1	PC.
033			455908-7	MOTOR HOUSING COVER	1	PC.
034			455909-5	CAP	1	PC.
035			265935-4	TAPPING SCREW 3X20	4	PC.
037			850U44-4	DUB362 NAME PLATE	1	PC.
039			266326-2	TAPPING SCREW 4X18	12	PC.
040	3		265678-8	TAPPING SCREW 4X18	2	PC.
041			620K96-7	* CONTROLLER B	1	PC.
042			652119-7	* PH SCREW M2X6	6	PC.
C01			877580-9	CARTON	1	PC.

Item No.	Type	Sub	Part No.	Description	Qty	Unit
<b><u>ACCESSORIES</u></b>						
<b>- See Catalogue or visit <a href="http://www.makita.ca">www.makita.ca</a> for more accessories -</b>						
A02	1		455915-0	LONG NOZZLE	1	PC.
	2		183R02-0	LONG NOZZLE SET	1	PC.
A03			455914-2	FRONT NOZZLE	1	PC.
A04			166094-6	SHOULDER BELT	1	PC.
A05			-----	18V LI-ION BATTERY		
A06			-----	BATTERY CHARGER	1	PC.
A07			-----	LI-ION BATTERY ACCESSORIES		
A08	1		456957-7	EXTENSION NOZZLE	1	PC.
	2		197888-8	EXTENSION NOZZLE	1	PC.
A09	2		197889-6	FLAT NOZZLE	1	PC.
A10			191B03-8	GUTTER NOZZLE KIT	1	KT
A11			191J13-3	ADAPTER PIPE 71	1	PC.

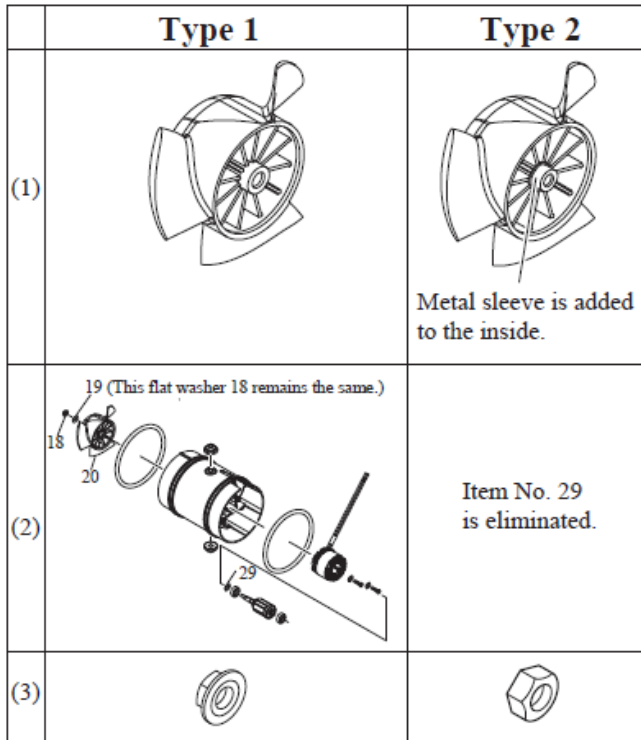
**SERVICE CHANGES**

**1. Changes on Fan and M5 Corned disc spring hex nut, Elimination of Flat washer 8**

(T/#B4833) (T/#C9795)

Item No.	Description	Type 1	Type 2	Type 3	Figure
18	CORNED DISK SPRING HEX.NUT M5 >>>HEX LOCK NUT M5-8	264111-7	252103-8	252286-4	(3)
20	FAN 110	240158-5	240177-1		(1)
29	FLAT WASHER 8 (OLD TYPE)	253835-0	-----	-----	(2)
19	F:AT WASJER 5	253194-2		-----	

Item no. 20 & 29 are completely interchangeable as a set.  
 Item no. 18 & 19 are completely interchangeable as a set.



**2. Changes on Tapping screw. Elimination of Flat washer 5**

(T/#C5745)

Item No.	Description	Type 1	Type 2
27	Flat washer 5	253184-5	----
28	Tapping screw 4x18	266326-2	265620-9

Item no. 27 & 28 are completely interchangeable as a set.

**3. Changes on Stator, Controller etc.**

(T/#DH325)

Item No.	Description	Type 1	Type 2
26	STATOR	629153-2	629B73-2
15	CONTROLLER COMPLETE	143166-4	141N60-8
41	CONTROLLER B	-----	620K96-7
d01	INSULATED CONNECTOR 5.5-SD	654510-5	-----
42	PAN HEAD SCREW M2X	-----	652119-7

Above parts are completely interchangeable as a set.  
 \*See T/#DH325 for wiring and repair